


Job Name		Engineer / Architect	
Job Location		Wholesaler	
Submittal Date		Contractor	

KTCR19B**A Braided Polymer Faucet Supply Kit - Compression 1/4 Turn Angle Ball Stop

Use: For use in potable water distribution systems in accessible locations only.

Design Features:

- **Everything you need to hook up your water supply.** Kits include our 1/4 turn ball stop, escutcheon, and braided water connector.
-  **No Lead**

KT™ 1/4 turn stop provides:

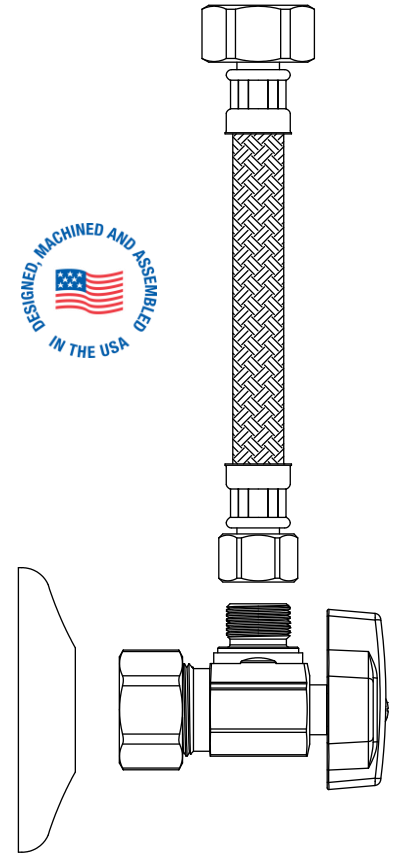
- **Two high-performance o-rings** withstand high temperatures and corrosion from harsh water environments
- **Machined, one-piece brass body** provides strength, durability, and long-lasting performance
- **Machined brass ball** is specially engineered and mated with PTFE seats to provide smooth operation without freeze ups even after long periods of non-use
- **Brass stem** is assembled from the inside out with two o-rings to ensure safe, reliable performance
- **Plated stem** provides corrosion resistance and prevents o-ring damage after long periods of non-use

Braided connector provides:

- **Superior corrosion resistance** to harsh chemicals found in most common household cleaning and plumbing repair products
- **Tough inner core** is reinforced to resist chlorine and chloramine leaching and deterioration

Operating Specifications:

Temperature: 40°- 140° F, intermittent to 180° F
Pressure: 125 PSI maximum
Tubing Diameter: 0.300" ID (0.550" OD)



Includes 1/2" nom shallow escutcheon (see 649 submittal form for details)

CONNECTOR MATERIAL SPECIFICATIONS	
Inner Hose	Reinforced PVC
Barb	Brass
Seal	Rubber
Ferrule	Steel, zinc plated
Connector Nut	Brass
Connector Washer	Rubber
Braiding	PVC coated polyester yarn

STOP MATERIAL SPECIFICATIONS	
Body	Brass, chrome plated
Stem	Brass, plated
Seats	PTFE
Ball	Brass, precision machined
Stem o-ring	Rubber
Handle	Zinc, die cast plated
Handle Screw	Steel, zinc plated
Compression Nut	Brass, chrome plated
Compression Sleeve	Brass
Escutcheon	Stainless steel

This specification and all information contained herein is the confidential and exclusive property of BrassCraft Manufacturing Co., and shall not be disclosed to others without the written consent of BrassCraft Mfg. This specification must be returned to BrassCraft Mfg. if requested.

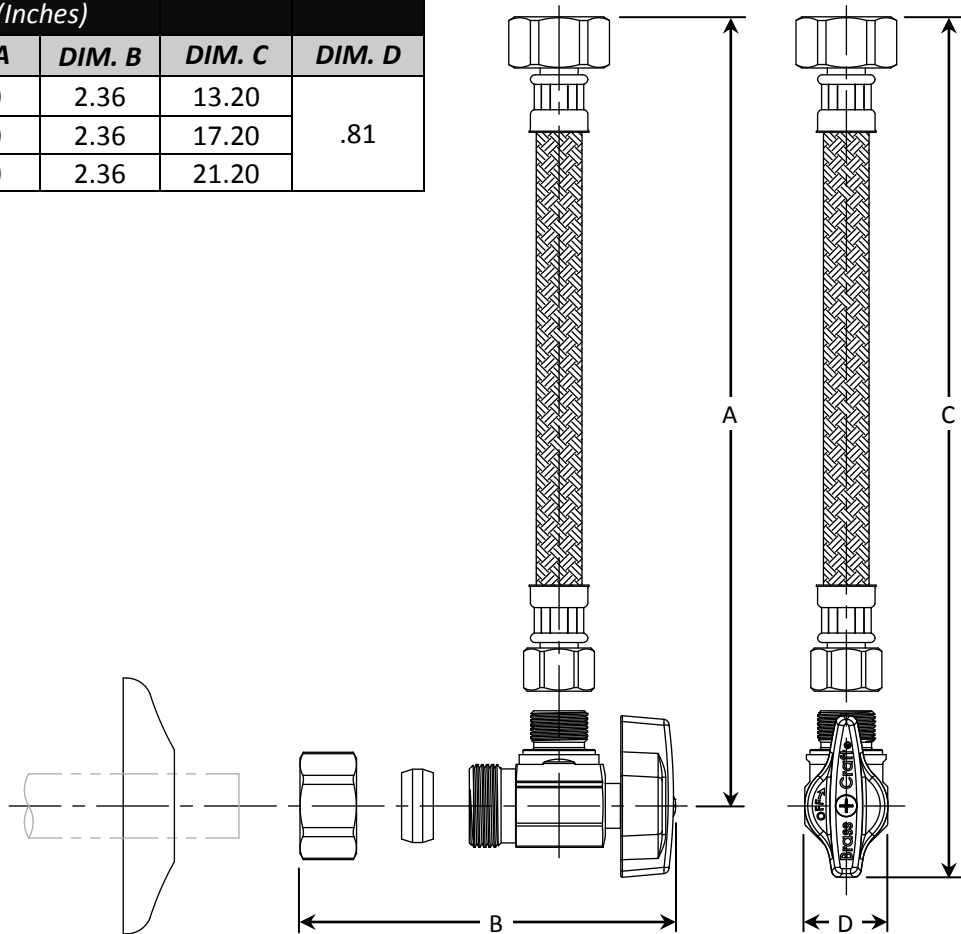


KTCR19B**A Braided Polymer Faucet Supply Kit - Compression 1/4 Turn Angle Ball Stop

Part Listing:

- KTCR19B12AX C 1/2" nom compression x 3/8" OD compression stop with 3/8" compression x 1/2" FIP x 12" length connector and shallow escutcheon, chrome plated
- KTCR19B16AX C 1/2" nom compression x 3/8" OD compression stop with 3/8" compression x 1/2" FIP x 16" length connector and shallow escutcheon, chrome plated
- KTCR19B20AX C 1/2" nom compression x 3/8" OD compression stop with 3/8" compression x 1/2" FIP x 20" length connector and shallow escutcheon, chrome plated

PART DIMENSIONS (Inches)				
Model	DIM. A	DIM. B	DIM. C	DIM. D
KTCR19B12AX	12.50	2.36	13.20	.81
KTCR19B16AX	16.50	2.36	17.20	
KTCR19B20AX	20.50	2.36	21.20	



Listings & Certifications:

- Supply Stop

- IAPMO listed to ASME A112.18.1 / CSA B125.1 (File # 0645)
- CSA listed to ASME A112.18.1 / CSA B125.1 (File # 204593)
- No-lead product CSA listed to NSF 372 (Class 6853-01)

- Water Connector

- IAPMO listed to ASME A112.18.6 / CSA B125.6 (File # 0452)
- CSA listed to ASME A112.18.6 / CSA B125.6 (File # 204593)
- No-lead product CSA listed to NSF 372 (Class 6853-01)



This specification and all information contained herein is the confidential and exclusive property of BrassCraft Manufacturing Co., and shall not be disclosed to others without the written consent of BrassCraft Mfg. This specification must be returned to BrassCraft Mfg. if requested.

